

Data sheet

Commercial Art.No.: 21.341.5653.0

europa terminal strip 16E / 6 DS

Europa terminal strips with wire protection, 6-pole, nominal cross section: 10mm², width: 13.5mm, rated voltage: 500V, color: white



Commercial Art.No.	21.341.5653.0
EAN	4015573165625
Order Unit	200

certificates / approvals



Technical data

technical data

drill hole distance centrally	13.5 mm
connectable conductor cross section fine stranded without cable end sleeve	2,5mm ² - 6mm ²
connectable conductor cross section fine stranded with cable end sleeve	2,5mm ² - 6mm ²
connectable conductor cross section solid	2,5mm ² - 10mm ²
connectable conductor cross section stranded	2,5mm ² - 10mm ²
rated current I _n	41 A
rated voltage	500 V
type of electrical connection 1	screw connection
model electrical connection 2	screw connection
number of poles	6
number of clamp positions per pole	2
mounting method	direct mounting
flammability class of insulation material acc. with UL94	V2
width	77 mm
Rastermaß	13.5 mm
height NS 35/7,5	17.3 mm
length	25 mm
end plate necessary	no
color	grey
transparent	no

classification

ECLASS 11	
ECLASS 8.1	27141106
ETIM 9.0	EC001284
ETIM 8.0	EC001284
ETIM 7.0	EC001284
ETIM 6.0	
ETIM 5.0	EC001284
ETIM 4.0	EC001284
ETIM 3.0	EC001284

product compliance

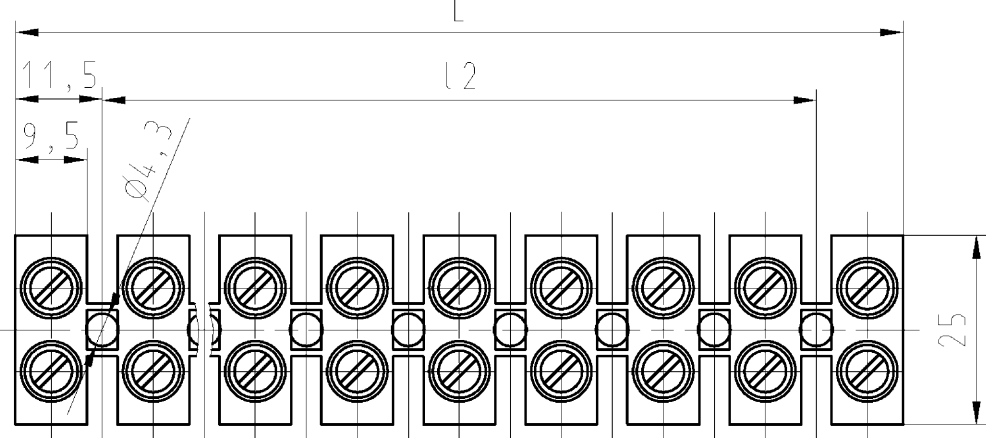
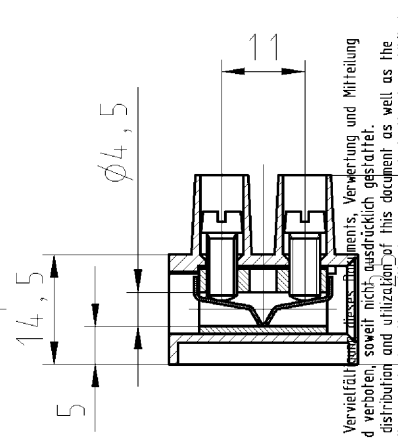
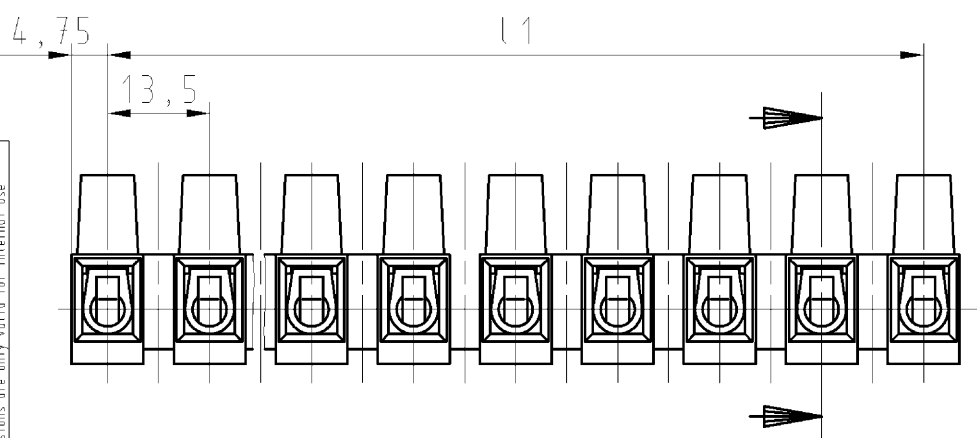
ROHS conformity status	compliant
REACH-SVHC conformity status	compliant

Accessories

Commercial Art.No.:	Article-type description:	Description:
----------------------------	----------------------------------	---------------------

These dimensions will be especially checked at delivery
Only inspection dimensions
With /E marked dimensions are only valid for internal use

Diese Maße werden bei Abnahme besonders geprüft
Ausschließlich Prüfmaße
Mit /E gekennzeichnete Maße sind nur für interne Zwecke gültig



Weitergabe sowie Vervielfältigung, Verbreitung, und Mitteilung seines Inhalts sind verboten, soweit nicht ausdrücklich gestattet. Die Reproduktion, Distribution und Utilization of this document as well as the communication of its contents to others without express authorization is prohibited.

Teile-Nr. part number	Typ type	L	l1	l2
21.341.51MM.0	16E / 1 DS ..	9,5	---	---
21.341.52MM.0	16E / 2 DS ..	23,0	1x13,5= 13,5	---
21.341.53MM.0	16E / 3 DS ..	36,5	2x13,5= 27,0	1x13,5= 13,5
21.341.54MM.0	16E / 4 DS ..	50,0	3x13,5= 40,5	2x13,5= 27,0
21.341.55MM.0	16E / 5 DS ..	63,5	4x13,5= 54,0	3x13,5= 40,5
21.341.56MM.0	16E / 6 DS ..	77,0	5x13,5= 67,5	4x13,5= 54,0
21.341.57MM.0	16E / 7 DS ..	90,5	6x13,5= 81,0	5x13,5= 67,5
21.341.58MM.0	16E / 8 DS ..	104,0	7x13,5= 94,5	6x13,5= 81,0
21.341.59MM.0	16E / 9 DS ..	117,5	8x13,5=108,0	7x13,5= 94,5
21.341.60MM.0	16E / 10 DS ..	131,0	9x13,5=121,5	8x13,5=108,0
21.341.62MM.0	16E DS ..	158,0	11x13,5=148,5	10x13,5=135,0

MM	Material	Farbe/colour	Typ/type
53	PA 6	natur	
57	PA6 UL 94 V-2 GWT 750	reinweiß ähnl. RAL 9010 pure white sim. RAL 9010	..GW

Weitere Daten siehe Katalog
further data see catalog

Tolerierung nach DIN 7167/Tolerance system acc. to DIN 7167.
(This DIN-standard describes the envelope principle. According to the envelope principle the deviations of form and parallelism are limited by the size tolerances).

ja/yes Stoffverbots- und Deklarationsliste nach UU-TQM-05/03 ist einzuhalten.
Conformity with Wieland document UU-TQM-05/03 (list of prohibited / declarable hazardous substances) to be declared!

Freitoleranz nach
General tolerance

CAD - Zeichnung, keine manuellen Änderungen
CAD - drawing, no manual modifications allowed

1.Verwendung:
First Use:

Blatt: 1 von 1
Sheet: of 1

	/		Werkstoff/Material	2011	Tag/Date	Name	Zeichnung Nr./Drawing No.	Index
	/			gezeichnet drawn	13.07.	Schmitt J.		
	/	Maßstab/Scale	1:1	geprüft checked	-	-	T 21.341.5157.0 01K	
	/			Normgepr. Stand., check	-	-		
	/	Vol.	mm³	Dfl./Surf.	mm²	Ersatz für/Replacement for: -		
	/		wieland	Type	Benennung/Tittle			
	/			16E/ ..	DS	EUROPAKLEMME		
Index	Datum / Blatt Date / Sheet	Elektrische Verbindungen		6qmm mit/with DS divisible Europa terminal strips				
Änderung/Revision								

213415157001K_2 CADW2035 Schmitt 2011-07-13T10:28:51 1:000